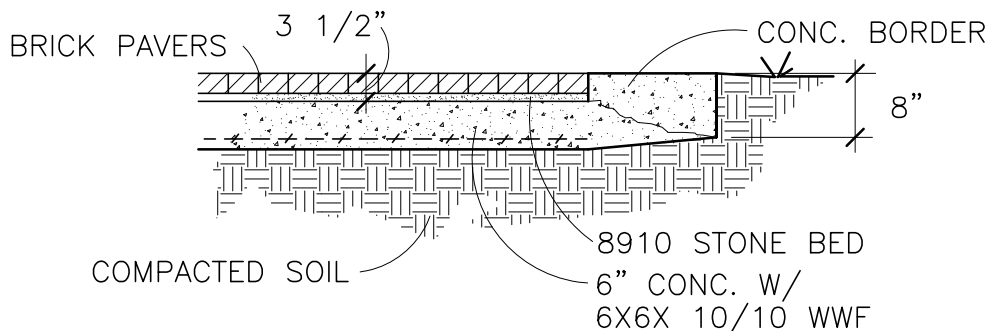


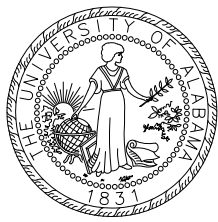
## TYPICAL SECTION—SAND BASE



## TYPICAL SECTION—CONCRETE BASE

### CONSTRUCTION NOTES:

- INSTALL PAVERS OVER GRADED 8910 SETTING BED WITH 1/8" / FT. CROWN TO CENTER.
- ESTABLISH PAVER HEIGHT TO 3/16" ABOVE BORDERS BY PROPERLY GRADING 8910 BED.
- TAMP FINISH PAVER SYSTEM WORKING FROM BORDERS INWARD USING VIBRATING PLATE AFTER INITIAL POLYMERIC SAND JOINT APPLICATION.
- RESAND AFTER TAMPING WITH POLYMERIC SAND.
- WHEN DRY APPLY SEALER MANUFACTURED SPECIFICALLY FOR CONCRETE PAVERS.



THE UNIVERSITY OF  
**ALABAMA**

**UN FACILITIES**  
CONSTRUCTION ADMINISTRATION  
DEPARTMENT  
1205 14th Street TUSCALOOSA, AL 35401  
PHONE: (205) 348-5950  
FAX: (205) 348-1588

Sheet Title:

TYPICAL BRICK PAVER WALK

issue date:

3/1/2012

Project:

CONSTRUCTION ADMINISTRATION  
DESIGN GUIDELINES

CSI division:

2

1 of 1