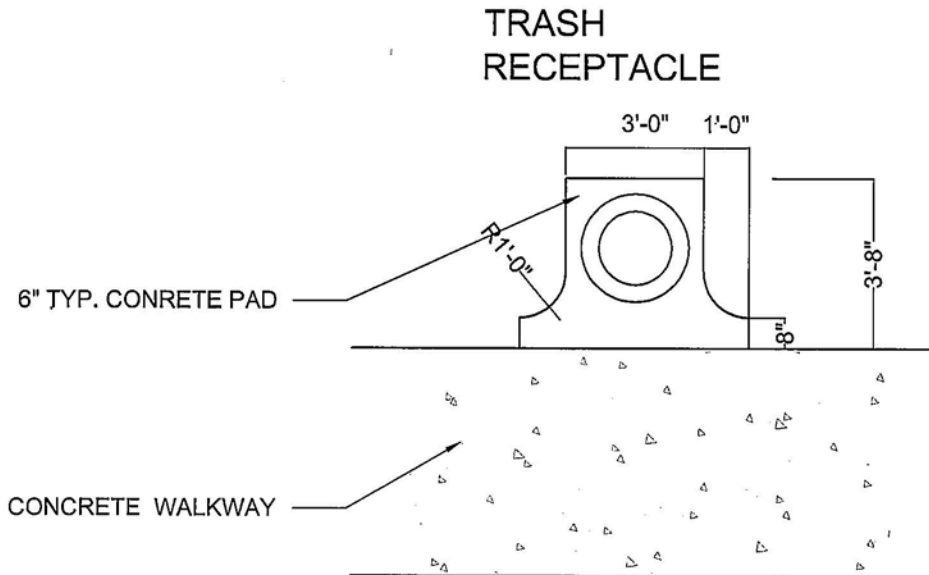




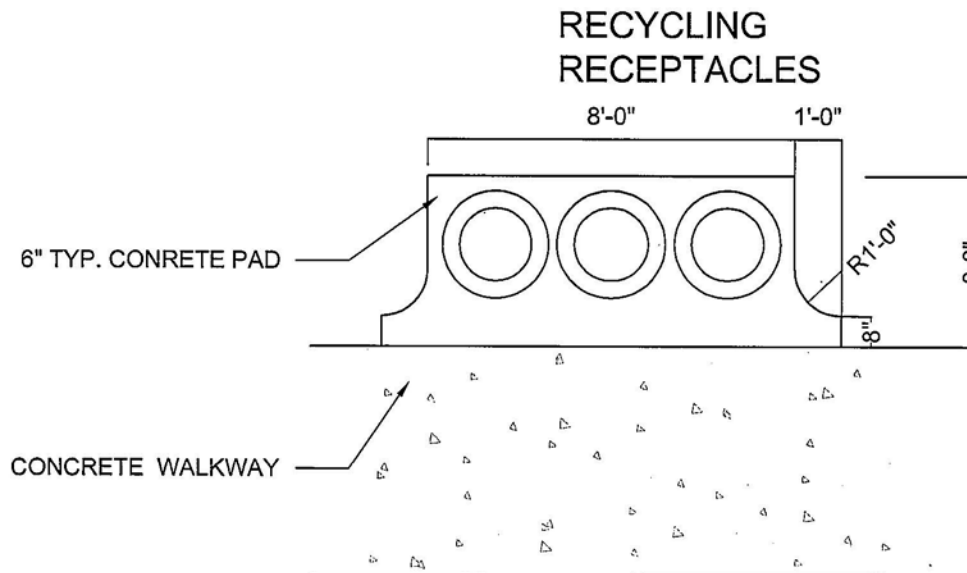
Section IV: Standard Drawings

TRASH RECEPTACLE PADS



NOTE:
SEE A2 / L2.04 FOR SECTION
AND INSTALLATION DETAILS

**ALL CONCRETE
JOINTS SHALL
BE TOOLED JOINTS.
NO SAW-CUT
JOINTS ALLOWED.**



Scale: 1/4" = 1'-0"