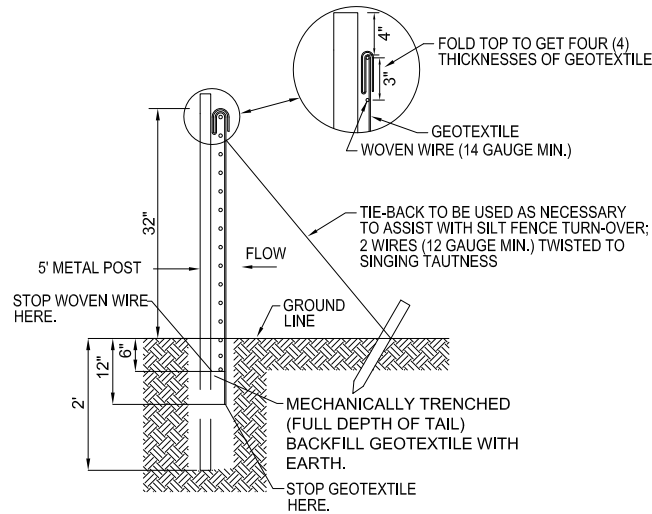


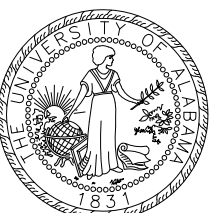
**ELEVATION**



**SECTION**

**NOTES:**

1. SILT FENCES ARE TEMPORARY EROSION CONTROL ITEMS THAT SHALL BE ERECTED OPPOSITE ERODABLE AREAS SUCH AS NEWLY GRADED FILL SLOPES AND ADJACENT TO STREAMS, CHANNELS, STREETS, CURBS, ETC.
2. SILT FENCE SHOULD BE PLACED WELL INSIDE CLEARING LIMITS. THIS WILL ALLOW ROOM FOR A BACK-UP FENCE IF FIRST BECOMES FULL. SILT FENCES SHALL BE IN PLACE PRIOR TO ANY CONSTRUCTION OPERATION.
3. WHEREVER POSSIBLE, SILT FENCES SHALL BE CONSTRUCTED ACROSS SLOPES AS A FLAT AREA IN THE SHAPE OF A HORSESHOE. THIS AIDS IN PONDING OF RUNOFF AND FACILITATES SEDIMENTATION.
4. SILT FENCE SHALL BE FASTENED TO UPSTREAM SIDE OF POST & WIRE BY HOG RINGS OR FENCE TIES. (17 GAUGE MIN.)
5. REMOVE SEDIMENT DEPOSITS WHEN THEY REACH A DEPTH OF 15" OR 1/2 THE HEIGHT OF THE FENCE AS INSTALLED TO PROVIDE ADEQUATE STORAGE VOLUME FOR THE NEXT RAIN EVENT AND TO REDUCE PRESSURE ON THE FENCE
6. SHOULD THE SILT FENCE BECOME DAMAGED OR OTHERWISE INEFFECTIVE WHILE THE BARRIER IS STILL NECESSARY, IT SHALL BE REPAIRED PROMPTLY WITH A NEW SECTION OF FILTER OVERLAPPING A MINIMUM OF 12 INCHES ON EACH SIDE OF A BREAK.
7. AFTER THE CONSTRUCTION AREA IS STABILIZED AND EROSION ACTIVITY CURTAILED, SILT FENCES SHALL BE REMOVED.

	<p>THE UNIVERSITY OF ALABAMA</p> <p><b>FACILITIES</b></p> <p>CONSTRUCTION ADMINISTRATION DEPARTMENT</p> <p>1205 14th Street TUSCALOOSA, AL 35401 PHONE: (205) 348-5950 FAX: (205) 348-1588</p>	<p>Sheet Title:</p> <p style="text-align: center;"><b>SILT FENCE DETAIL</b></p>	<p>issue date:</p> <p style="text-align: center;">FEB. 21, 2017</p>
	<p>Project:</p> <p style="text-align: center;"><b>CONSTRUCTION ADMINISTRATION DESIGN GUIDELINES</b></p>	<p>CSI division:</p> <p style="text-align: center;">1 of 1</p>	