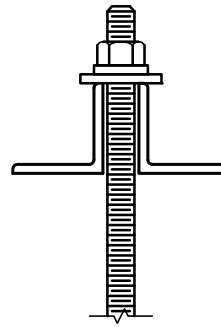
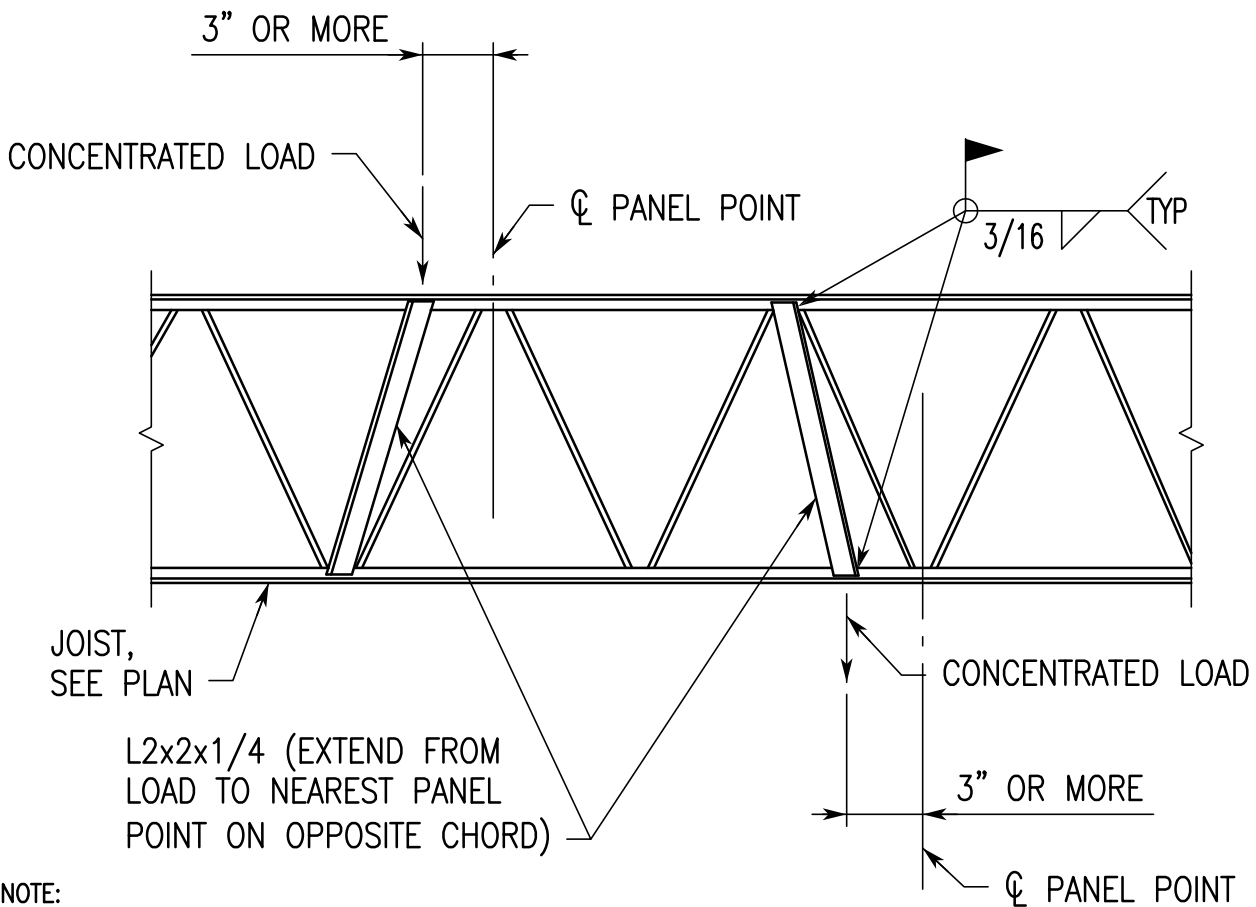


ECCENTRICALLY
LOADED JOIST

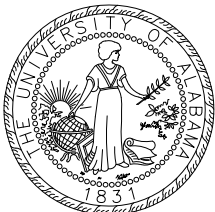


CONCENTRICALLY
LOADED JOIST



NOTE:
FOR NOMINAL CONCENTRATED LOADS BETWEEN PANEL POINTS, WHICH HAVE BEEN ACCOUNTED FOR IN THE SPECIFIED UNIFORM DESIGN LOADS, A STRUT TO TRANSFER THE LOAD TO A PANEL POINT ON THE OPPOSITE CHORD SHALL NOT BE REQUIRED, PROVIDED THE SUM OF THE CONCENTRATED LOADS WITHIN A CHORD PANEL DOES NOT EXCEED 100 POUNDS AND THE ATTACHMENTS ARE CONCENTRIC TO THE CHORD.

NOTE:
JOIST MANUF TO VERIFY 3" DIMENSION AND MAX CONCENTRATED LOAD FOR T&B CHORD REINFORCEMENT REQUIREMENTS. GENERAL CONTRACTOR AND JOIST MANUF TO COORDINATE DISTANCE AND CONCENTRATED LOAD AND PROVIDE DETAILS ON JOIST SHOP DRAWINGS.



THE UNIVERSITY OF
ALABAMA

FACILITIES
CONSTRUCTION ADMINISTRATION
DEPARTMENT
1205 14th Street
Tuscaloosa, AL 35401
PHONE: (205) 348-5950
FAX: (205) 348-1588

Sheet Title:

JOIST REINFORCEMENT
DETAIL

issue date:

AUG, 2013

Project:

CONSTRUCTION ADMINISTRATION
DESIGN GUIDELINES

CSI division:

05

1 of 2