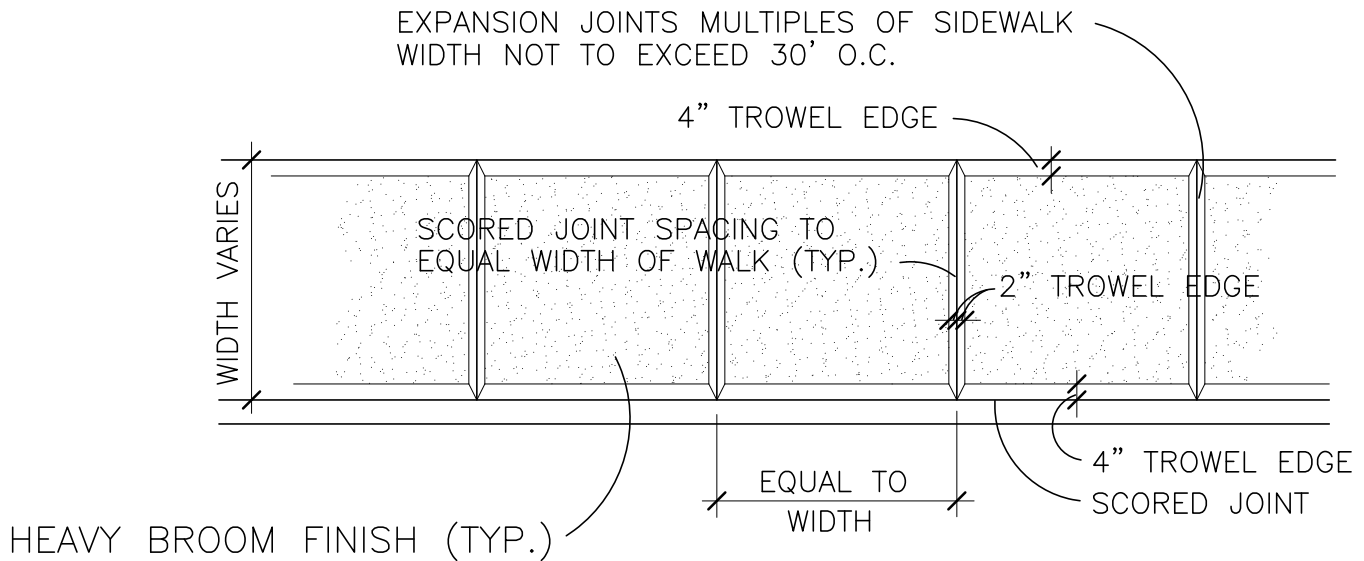
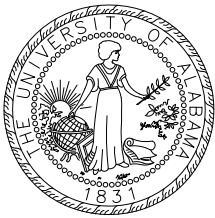


SECTION—INTEGRAL SIDEWALK AND CURB



PLAN—TYPICAL WALK



THE UNIVERSITY OF
ALABAMA

FACILITIES
CONSTRUCTION ADMINISTRATION
DEPARTMENT
1205 14th Street PHONE: (205) 348-5950
Tuscaloosa, AL 35401 FAX: (205) 348-1588

Sheet Title:

INTEGRAL SIDEWALK AND CURB

issue date:

APRIL 9, 2012

Project:

CONSTRUCTION ADMINISTRATION
DESIGN GUIDELINES

CSI division:

2

1 of 1