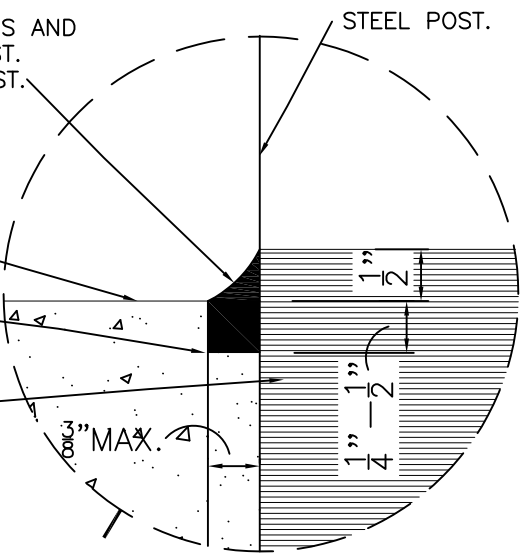


SILICONE SEALANT IN RECESS AND AROUND PERIMETER OF POST. SLOPE TOP AWAY FROM POST.

TOP OF CONCRETE

EPOXY MORTAR RECESSED AS SHOWN

PORTION OF POST TO BE WRAPPED WITH MASKING TAPE AS SHOWN.



SEALANT DETAIL
NOT TO SCALE

SILICONE SEALANT $\frac{1}{2} \pm$ SLOPE AWAY FROM POST.

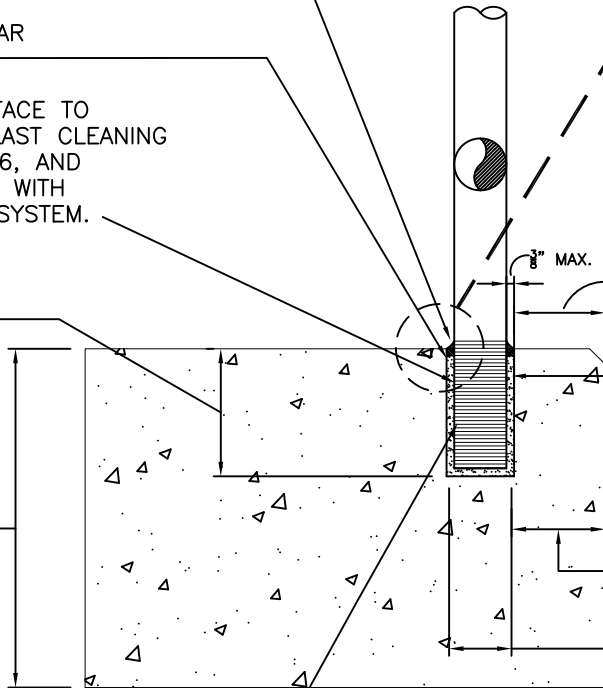
RECESS EPOXY MORTAR AT TOP OF POST.

PREPARE STEEL SURFACE TO MEET COMMERCIAL BLAST CLEANING STANDARDS SSPC-SP6, AND PAINT EXPOSED POST WITH UA STANDARD PAINT SYSTEM.

VARIES AS PER DESIGN (4" MIN)

CONCRETE DEPTH VARIES

PORTION OF POST TO BE WRAPPED WITH MASKING TAPE AS SHOWN.

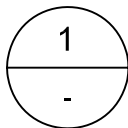


VARIES AS PER DESIGN

IN RETROFIT APPLICATION REMOVE EXISTING MORTAR (2" DEEP MIN.), AND INSTALL EPOXY MORTAR (SIKA 42 GROUT PACK OR EQUAL).

DO NOT SPALL CONCRETE DURING EXCAVATION

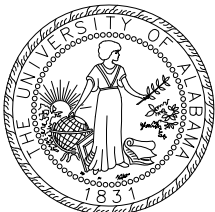
CORE & PRESSURE WASH HOLE, CLEAN PRIOR TO INSTALLING EPOXY MORTAR. INSTALL EPOXY MORTAR AS SHOWN.



1 HANDRAIL ANCHOR IN CORED HOLE

- NOT TO SCALE

NOTE: PRIOR TO EMBEDMENT, STEEL POST TO BE PAINTED WITH PRIMER COAT, AND ONE FINISH COAT.



THE UNIVERSITY OF
ALABAMA

UA FACILITIES
CONSTRUCTION ADMINISTRATION
DEPARTMENT
1205 14th Street
Tuscaloosa, AL 35401
PHONE: (205) 348-5950
FAX: (205) 348-1588

Sheet Title:

**HANDRAIL ANCHOR IN
CORED HOLE**

issue date:

3/21/13

Project:

**CONSTRUCTION ADMINISTRATION
DESIGN GUIDELINES**

CSI division:

1 of 1