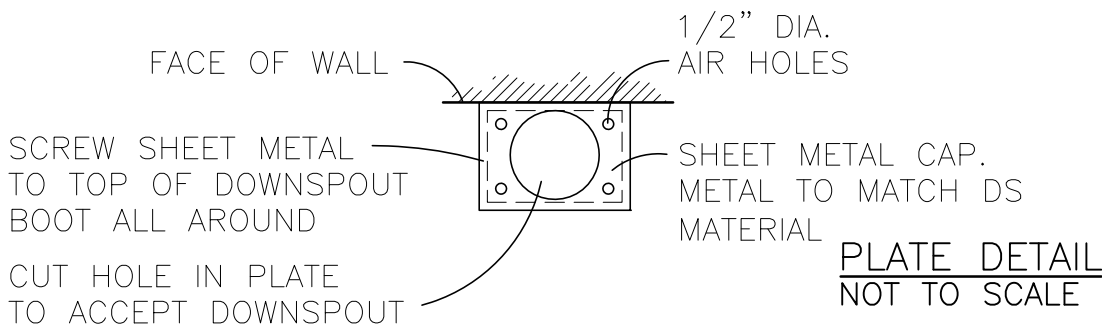


NOTE: THE PURPOSE OF THE BOOT IS TO TRANSITION FROM LEADER TO STORM SYSTEM WITH A DURABLE FIXTURE - BOOT ELEVATIONS MUST BE DESIGNED, COORDINATED & INSTALLED TO ENSURE STORM TIE-IN IS NOT ABOVE GRADE AT ANY LOCATION. BOOTS SHOULD GENERALLY ALIGN AROUND BUILDING. FOR BOOTS LOCATED IN SIDEWALKS, INSTALL SOFT JOINT AROUND PERIMETER OF BOOT TO LIMIT CRACKING. ARCHITECT TO SHOW BOOTS ON SIDEWALK PLAN TO COORDINATE JOINTS, EGRESS WIDTHS, ETC.

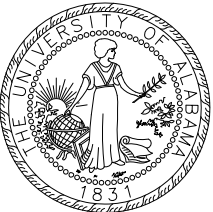

*DESIGNER TO SIZE BOOT (HT & DIA) WITH THE SIZE/CONFIG. OF RAIN LEADERS ON THE BUILDING. COORDINATE WITH UA ARCH. FOR HT. OF BOOT RELATIVE TO BUILDING ELEMENTS (WATERTABLE, BASE PROFILES, ETC.). ARCH TO SHOW ANY OFFSETS IN WALL PROFILE WITH DOWNSPOUT SYSTEM TO COORDINATE WITH BOOT.

SIDE VIEW
NOT TO SCALE

FRONT VIEW
NOT TO SCALE



DOWNSPOUT BOOT.DWG

	THE UNIVERSITY OF ALABAMA	Sheet Title: DOWNSPOUT BOOT DETAIL	issue date: FEB. 28, 2018
		Project: CONSTRUCTION ADMINISTRATION DESIGN GUIDELINES	CSI division: 5